

250-013 Hermetic Receptacle, Panel Mount MIL-DTL-5013 Type (MS3142)

HOW TO ORDER:

EXAMPLE: 250-013 Z1 14 - 6 P X

BASIC PART NUMBER 250-013

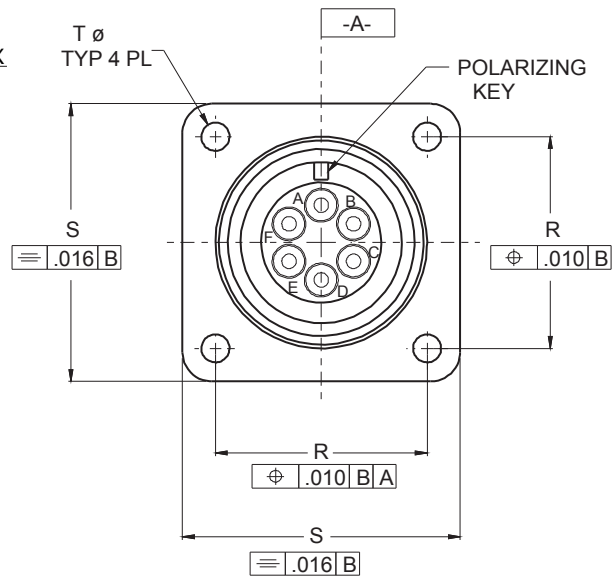
MATERIAL DESIGNATION
FT - FUSED TIN OVER FERROUS STEEL
Z1 - PASSIVATED STAINLESS STEEL

SHELL SIZE 14

INSERT ARRANGEMENT PER MIL-STD-1651 - 6

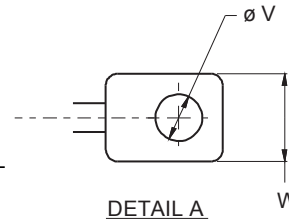
TERMINATION TYPE
P - SOLDER CUP
X - EYELET

ALTERNATE INSERT POSITION
W, X, Y, OR Z
OMIT FOR NORMAL X

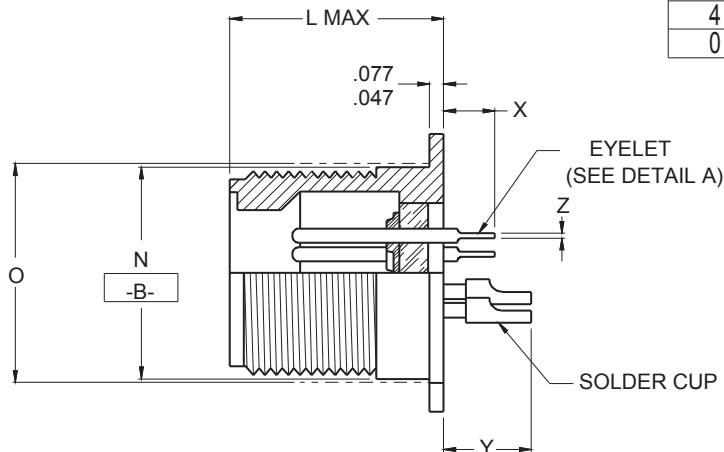


NOTES:

- MATERIAL/FINISH:**
SHELL: FT - FUSED TIN OVER CARBON STEEL
Z1 - PASSIVATED STAINLESS STEEL
CONTACTS: 52 NICKEL ALLOY/ GOLD PLATE
SEALS: SILICONE ELASTOMER
INSULATION: GLASS BEADS, NOIBN
- ASSEMBLY TO BE IDENTIFIED WITH GLENAIR'S NAME, PART NUMBER AND DATE CODE SPACE PERMITTING.
- PERFORMANCE:**
HERMETICITY: $<1 \times 10^{-6}$ SCCHE/SEC @ 1 ATMOSPHERE DIFFERENTIAL
DIELECTRIC WITHSTANDING VOLTAGE: SEE TABLE ON SHEET #2
INSULATION RESISTANCE: 5000 MEGOHMS MIN @ 500VDC
- GLENAIR 250-013 WILL MATE WITH ANY MIL-C-5015 SERIES THREADED COUPLING PLUG OF SAME SIZE AND INSERT POLARIZATION



CONTACT SIZE	X MAX.	Y MAX.	Z MIN.	V MIN.	W MAX.
16	.219 (5.6)	.375 (9.5)	.020 (0.5)	.065 (1.7)	.115 (2.9)
12	.281 (7.1)	.516 (13.1)	.020 (0.5)	.096 (2.4)	.190 (4.8)
8	-	.719 (18.3)	-	-	-
4	-	.980 (24.9)	-	-	-
0	-	.980 (24.9)	-	-	-



250-013
Hermetic Receptacle, Panel Mount
MIL-DTL-5015 Type (MS3142)



MIL-DTL-5015

PATTERN NUMBER	CONTACT SIZE AND QUANTITY					SERVICE RATING
	16 GA	12 GA	8 GA	4 GA	0 GA	
8S-1	1					A
10S-2	1					A
10SL-3	3					INST
10SL-4	4					A
12S-3	2					A
12S-4	1					D
14S-1	3					A
14S-2	4					INST
14S-4	1					O
14S-5	5					INST
14S-6	6					INST
14S-7	3					A
14S-9	2					A
16S-1	7					A
16S-3	1					B
16S-4	2					D
16S-5	3					A
16S-6	3					A
16S-8	5					A
16-9	2	2				A
16-10		3				A
16-11		2				A
18-1	10					A/INST
18-4		4				D
18-8	7	1				A
18-9	5	2				INST
18-10		4				A
18-11		5				A
18-12	6					D
20-4		4				A
20-7	8					D/A
20-8	4					INST
20-14		3				A
20-15		7				A
20-16	7	2				A
20-17	1	5				A
20-18	6	3				A
20-19			3			A

PATTERN NUMBER	CONTACT SIZE AND QUANTITY					SERVICE RATING
	16 GA	12 GA	8 GA	4 GA	0 GA	
20-22	3		3			A
20-24	2		2			A
20-27	14					A
20-29	17					A
20-33	11					A
22-2			3			D
22-5	4	2				D
22-9		3				E
22-14	19					A
22-18	8					A/D
22-19	14					A
22-20	9					A
22-22			4			A
22-23		8				D/A
24-2		7				D
24-4	3					D
24-7	14	2				A
24-10			7			A
24-11		6	3			A
24-19	12					A
24-20	9	2				D
24-27	7					E
24-28	24					INST
28-9	6	6				D
28-11	18	4				A
28-12	26					A
28-15	35					A
28-17	15					B/D/A
28-20	4	10				A
28-21	37					A
32-6	3	2	3	2		A
32-7	28	7				INST/A
32-8	24	6				A
32-15		6			2	D
32-17				4		D
36-5					4	A
36-7	40	7				A
36-9	14	14	2	1		A
36-10	48					A

SIZE	L MAX CONTACT SIZE		Ø N +.000 -.062 (+0 - 1.6)	Ø O (REF) MTG HOLE	R T.P C-L	S ±.031 (0.8)	T Ø ±.005 (0.1)
	16, 12 & 8	4 & 0					
8S	.730 (18.5)		.532 (13.5)	.562 (14.3)	.594 (15.1)	.875 (22.2)	.120 (3.0)
10S	.730 (18.5)		.656 (16.7)	.688 (17.5)	.719 (18.3)	1.000 (25.4)	
10SL	.730 (18.5)		.656 (16.7)	.688 (17.5)	.719 (18.3)	1.000 (25.4)	
12S	.730 (18.5)		.782 (19.9)	.812 (20.6)	.812 (20.6)	1.094 (27.8)	
12	.915 (23.2)		.782 (19.9)	.812 (20.6)	.812 (20.6)	1.094 (27.8)	
14S	.730 (18.5)		.906 (23.0)	.938 (23.8)	.906 (23.0)	1.188 (30.2)	
14	.915 (23.2)		.906 (23.0)	.938 (23.8)	.906 (23.0)	1.188 (30.2)	
16S	.730 (18.5)	1.040 (26.4)	1.032 (26.2)	1.062 (27.0)	.969 (24.6)	1.281 (32.5)	
16	.915 (23.2)		1.032 (26.2)	1.062 (27.0)	.969 (24.6)	1.281 (32.5)	
18			1.156 (29.4)	1.188 (30.2)	1.062 (27.0)	1.375 (34.9)	
20			1.282 (32.6)	1.312 (33.3)	1.156 (29.4)	1.500 (38.1)	.120 (3.0)
22			1.406 (35.7)	1.438 (36.5)	1.250 (31.8)	1.625 (41.3)	.147 (3.7)
24			1.532 (38.9)	1.562 (39.7)	1.375 (34.9)	1.750 (44.5)	.147 (3.7)
28			1.782 (45.3)	1.812 (46.0)	1.562 (39.7)	2.000 (50.8)	.173 (4.4)
32			2.032 (51.6)	2.062 (52.4)	1.750 (44.5)	2.250 (57.2)	
36			2.282 (58.0)	2.312 (58.7)	1.938 (49.2)	2.500 (63.5)	
40			2.532 (64.3)	2.562 (65.1)	2.188 (55.6)	2.750 (69.9)	
44			2.782 (70.7)	2.812 (71.4)	2.375 (60.3)	3.000 (76.2)	
48	.915 (23.2)	1.040 (26.4)	3.032 (77.0)	3.062 (77.8)	2.625 (66.7)	3.250 (82.6)	.173 (4.4)

SERVICE RATING	WORKING VOLTAGES (VOLTS-RMS)
INST	200
A	500
D	900
E	1250
B	1750
C	3000